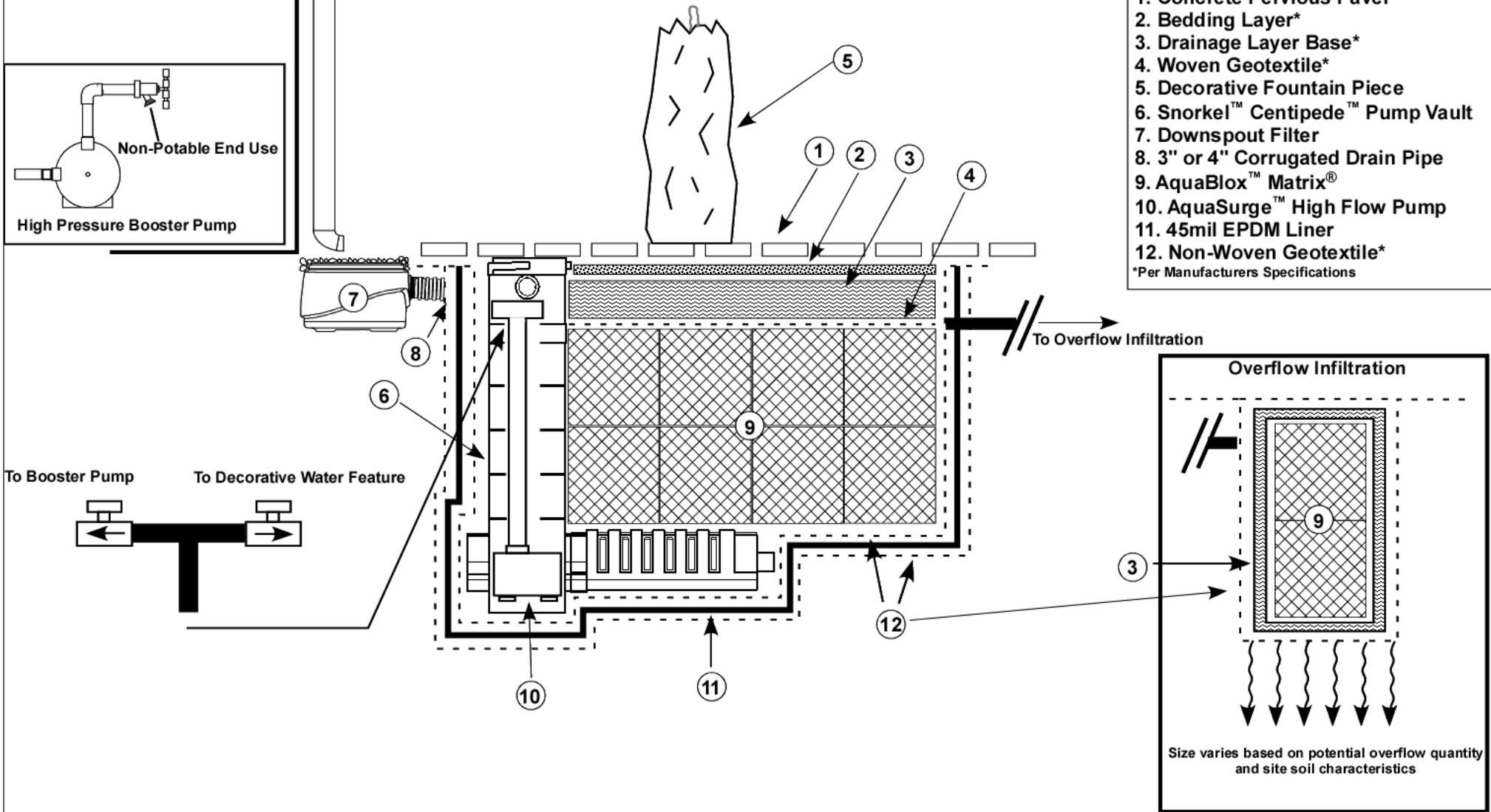
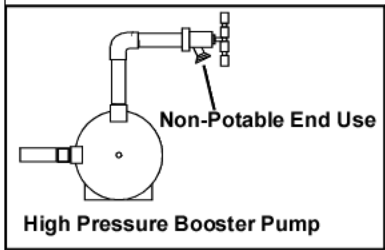


RainXchange™

Rain Water Harvesting System

Aquascape®

Aquascape, Inc.
 901 Aqualand Way
 Saint Charles, IL 60174
 Ph. 1-630-659-2000
 www.aquascapeinc.com



1. Concrete Pervious Paver*
 2. Bedding Layer*
 3. Drainage Layer Base*
 4. Woven Geotextile*
 5. Decorative Fountain Piece
 6. Snorkel™ Centipede™ Pump Vault
 7. Downspout Filter
 8. 3" or 4" Corrugated Drain Pipe
 9. AquaBlox™ Matrix®
 10. AquaSurge™ High Flow Pump
 11. 45mil EPDM Liner
 12. Non-Woven Geotextile*
- *Per Manufacturers Specifications

