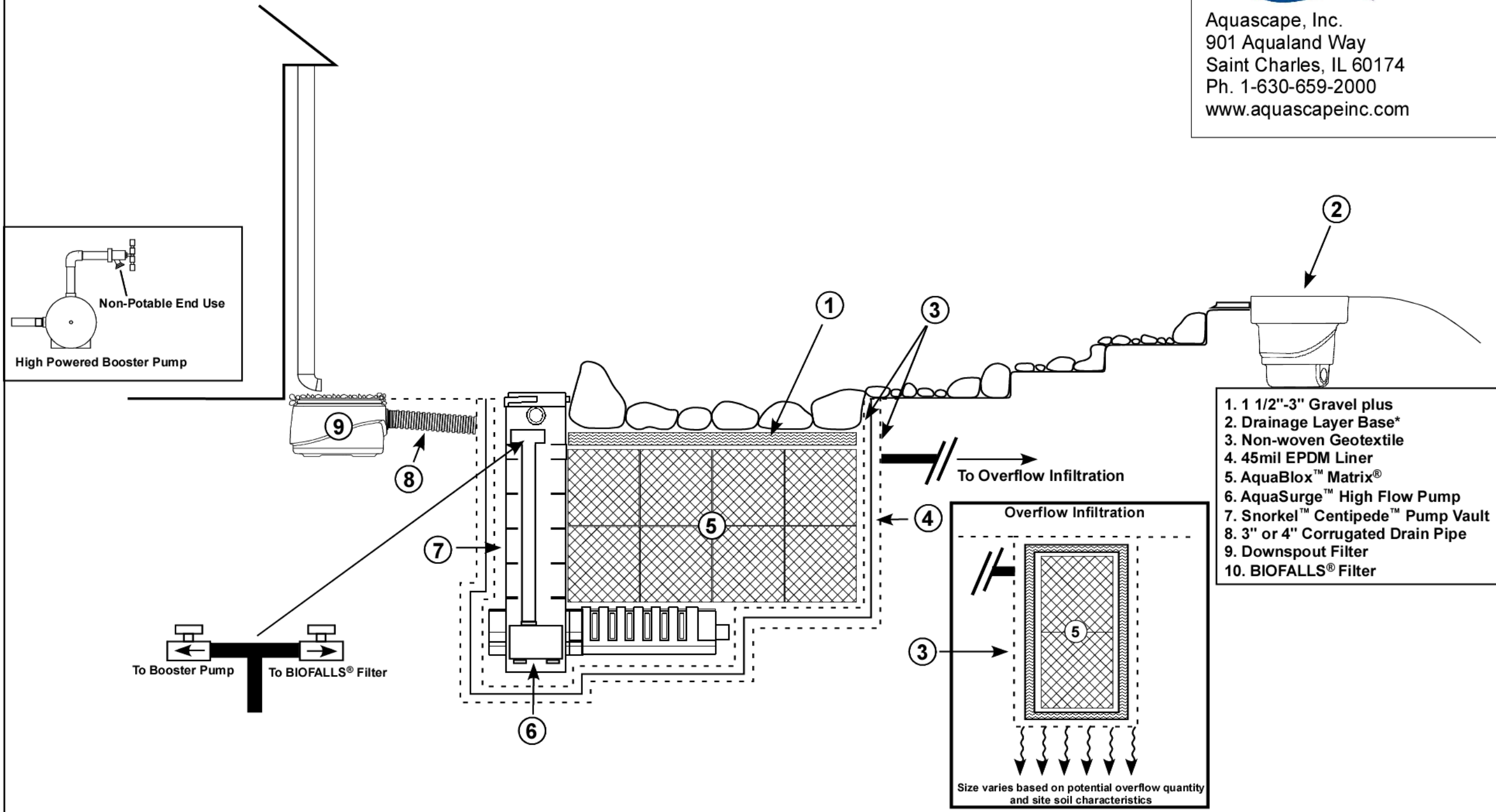


RainXchange™

Rain Water Harvesting System



Aquascape, Inc.
 901 Aqualand Way
 Saint Charles, IL 60174
 Ph. 1-630-659-2000
 www.aquascapeinc.com



High Powered Booster Pump

Non-Potable End Use

1. 1 1/2"-3" Gravel plus
2. Drainage Layer Base*
3. Non-woven Geotextile
4. 45mil EPDM Liner
5. AquaBlox™ Matrix®
6. AquaSurge™ High Flow Pump
7. Snorkel™ Centipede™ Pump Vault
8. 3" or 4" Corrugated Drain Pipe
9. Downspout Filter
10. BIOFALLS® Filter

Overflow Infiltration

Size varies based on potential overflow quantity and site soil characteristics

To Booster Pump

To BIOFALLS® Filter