



Introduction to the RainXchange™ Rain Barrel



Introduction to the RainXchange™ Rain Barrel

Topics Covered

- Features & Benefits
- Step-by-Step Installation & Maintenance
- Sales Opportunities



Rain Barrels are a Green Solution for Water Conservation

Rain barrels are simple, low cost methods for homeowners to begin to capture and reuse rainwater.



Traditional Rain Barrels

- The majority of rain barrels currently in the market focus primarily on the function of capturing rainwater.
- People love the idea of using a rain barrel to conserve water, but have reservations about putting a large, unattractive tub off the side of their house.



An Attractive Solution

- Aquascape takes a slightly different approach. We believe that we can get more people involved with capturing rainwater and reducing storm water runoff if it comes in an attractive design.

Who says rain barrels have to be an eyesore?



OR



Features & Benefits

- Beside the decorative design, there are a number of features and benefits of the RainXchange™ Rain Barrel that separate it from other barrels on the market.
- The first is its large 75-gallon capacity, which allows the homeowner to capture more water than traditional 55 gallon barrels.



75-Gallon
Capacity

Planter Built into the Lid

Integrated planter helps naturalize the rain barrel into the landscape design.



Inlet Filter Screen

Inlet filter screen removes leaves, sticks, and other debris before the water enters the rain barrel. The screen also keeps insects, such as mosquitoes, from entering the rain barrel.



Large Internal Overflow System

The RainXchange™ Rain Barrel includes a unique internal overflow system. This eliminates unsightly overflow hoses protruding from the side of the barrel.

External Overflow



Internal Overflow



The RainXchange™ Rain Barrel's large 1 ½" overflow is capable of handling typical gutter flows. Most other barrels on the market have small 1" or less overflows. These inadequate designs will potentially cause overflow problems along the foundation of the residence.

See the RainXchange™ Rain Barrel in Action

http://www.rainxchange.com/products/rain_barrel.php

p

RainXchange™
Rainwater Harvest Systems
By Agreandscape Inc., the leading innovator in water features.

Home | Design Calculator | Contact Us
Sustainable Designs | Products | Downloads | Certification | Water Conservation Programs

RAINXCHANGE™ RAIN BARREL

PRODUCT FEATURES

- LARGE 75-gallon capacity!
- 5-year warranty
- Requires no electricity
- Large safety overflow keeps water in the barrel or away from the house
- Lid can also be used as a planter
- Thick plastic walls are durable and will withstand extreme conditions
- Childproof lockable lid
- Brass spigot for garden hose connection
- Made in the U.S.A.

PRODUCT BENEFITS

- It's **SIMPLE**. The RainXchange™ Rain Barrel can be incorporated into existing gutter and drainage systems.
- It's **RESPONSIBLE**. Water restrictions do not apply to rain barrels. Storing rain water allows you to keep gardens growing during watering restrictions and reduce the burden for municipal water.
- It's **BENEFICIAL**. Rain water is better for plants than municipally treated water.

LARGE 75-Gallon Capacity

Also Available in Sandstone

(shown in Terra Cotta)

Catalog Code	Product Description
98766	Terra Cotta
98767	Sandstone

Click Here for Information on our Extreme Green Community Makeover

WHEN AMERICANS WERE ASKED TO RATE THEIR LEVEL OF WORRY ABOUT EACH OF 12 ENVIRONMENTAL CONCERNS, THE TOP 4 RELATED TO THE QUALITY OF WATER.

See our Rain Barrel in ACTION!

System Illustrations

Available in Two Finishes

Sandstone



Terra Cotta



How to Install the RainXchange™ Rain Barrel



Installation is Easy!

- Every rain barrel includes installation instructions and maintenance owner's manual.
- A copy of this manual and additional information can be found at www.rainxchange.com.



Installation Tools Needed

(not included with the rain barrel)

- Hacksaw to cut the downspout
- Level
- Tape measure
- Pencil or marker
- Pliers
- Screw driver
- Gloves
- Safety glasses



Step 1: Install the Spigot



Wrap threads of spigot
with Teflon tape



Thread spigot into bulkhead

Step 2: Install Overflow Elbow



Wrap threads of elbow with Teflon tape



Thread elbow into bulkhead



Position overflow pointing outward

Step 3: Install Overflow Pipe

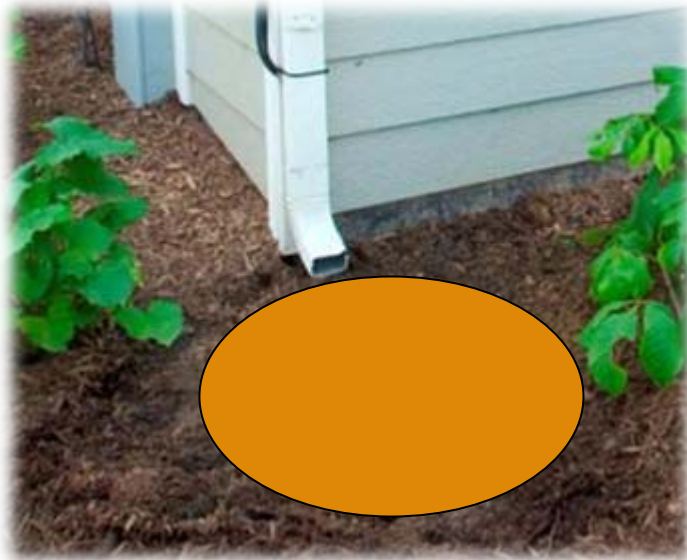


Wrap threads of overflow pipe with Teflon tape



Thread pipe into bulkhead

Step 4: Prepare the Rain Barrel Location



Firmly pack and level base.

The rain barrel can also be raised on paver blocks to help increase water pressure and provide additional clearance beneath the spigot.

Step 5 & 6 : Place Rain Barrel and Cut-off Downspout



Measure and trim downspout so the downspout elbow clears the top of the rain barrel lid.

Step 7: Install Downspout Elbow

Two examples showing different elbow configurations

A

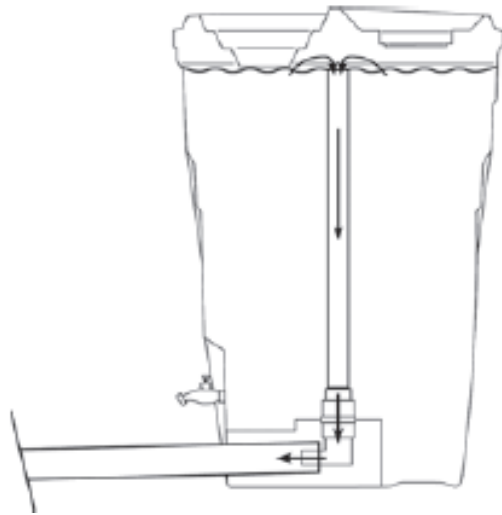


B



Regions with heavy rainfalls or homes that have a large roof area feeding into the downspout should use option B to help direct the flow down into the rain barrel opening.

Step 8: Place Overflow Drain Pipe



Divert excess water away from the foundation by inserting the downspout pipe cut off in the earlier step, or a section of buried corrugated pipe, over the end of the overflow elbow.

Step 9: Secure the Cover



The rain barrel includes two removable zip-ties that can be used to secure the cover in place.

Step 10: Start Capturing Water



Accessing the Water



Water can be accessed using a watering can or short garden hose.

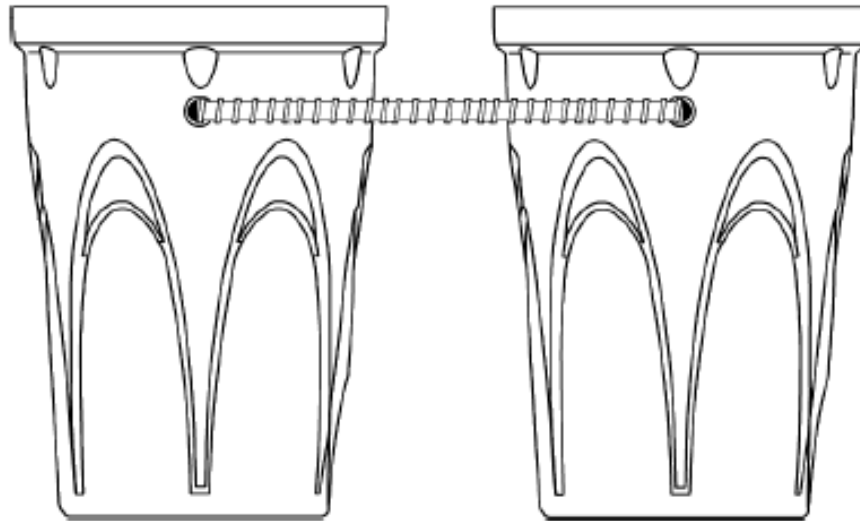
Integrated Planter

- Planting Area

- The RainXchange™ Rain Barrel can be planted with a variety of ornamental plants. If drainage is necessary, there are three dimples located on the bottom of the planter area. Drill $\frac{1}{4}$ "- $\frac{1}{2}$ " holes using the dimples as a starting point.
- It is recommended that when using the planting area, a layer of fabric or container liner, such as coconut fiber, moss, or planting media be used to prevent any soil from passing through the drainage holes and entering the barrel.



Connecting Rain Barrels in Series



When using more than one rain barrel to capture rainwater, you will need the RainXchange™ Rain Barrel Connection Kit (Item #98811) to attach the barrels to each other. This allows the water to flow from the first barrel to the next when the water capacity reaches the maximum amount.

Maintenance

- The RainXchange™ Rain Barrel should require very little maintenance. Periodically check that the filter screen is clean. To clean, just brush off any leaves, sticks or debris that may have collected on top of the screen.



Winterization

- The rain barrel will need to be prepared for the winter if the temperature in the area will get below 32° F (0° C.)
- Option #1 – Leave the rain barrel outside
 - Open the brass spigot and let the water drain out. Remove the lid and unscrew the overflow pipe from the bulkhead fitting located in the bottom of the barrel. The overflow pipe will not be installed during the winter allowing the water entering the barrel to drain out. Replace the lid. Leave the spigot open during the winter.
- Option #2 – Remove the rain barrel for winter storage
 - The rain barrel can also be removed from the outside of the house during the winter. Follow the steps in option #1 and tip the barrel to remove any remaining water. Add a temporary downspout extension onto the existing downspout to ensure proper drainage away from the foundation.



Find Rebates and Incentives Near You!

- Here is a sampling of cities in water-stressed areas around the country that have adopted rainwater capture and usage. These areas are not only promoting rainwater harvesting, but some are actually requiring it due to limited water supplies:

Tucson, Arizona:

- First municipality in the country to require new commercial properties to harvest rainwater for landscaping.
- Implementing similar requirements for residential developments.

Santa Fe and Albuquerque, New Mexico:

- Require new homes to use rainwater harvesting.



Find Rebates and Incentives Near You!

- Here is a sampling of cities that are not in water-stressed areas. Some actually have an abundance of rain. In these areas, storm water management is the driving force.
- The objective is to keep the water where it falls rather than let it surge through the storm water management system. The water can be utilized or allowed to soak back into the ground between rainfall events.
 - Rain barrel program
 - Rochester, NY
 - Madison, WI
 - Manatee, Sarasota and Charlotte counties, FL
 - Rain water promotion and regulation clarification
 - San Francisco, CA
 - Rain garden promotion
 - Kansas City, MO

Find Rebates and Incentives Near You!

- Aquascape's RainXchange™ website has a reference list of regions that offer rebates and incentive programs.
- Please help us grow this list by submitting information on programs that you find in your region at:

http://www.rainxchange.com/contact_us/program_contact.php



RainXchange™
Rainwater Harvesting Systems
By Rainwater Harvesting Systems, Inc.

WATER CONSERVATION & RAINWATER PROGRAMS NEAR YOU!

Does your state, local government or regional association group have water conservation programs already in place? We're compiling a list of REBATES that will help you save money on the various initiatives that affect water conservation in your area. Please take a moment to fill out this form to help us continue to compile this REBATE database.

Government Assistance
Do you qualify for government assistance? Please let us know! Government incentives and rebates are becoming an integral part of many water conservation programs. Let us help you determine if the RainXchange™ System is eligible for these incentives and programs.

Program Location:

City:

State/Province:

Tell Us About the Program:

Please provide a web site if applicable:

Simple Solutions for Complex Problems



Please visit www.rainxchange.com for more information on the RainXchange™ Rain Barrel and other rainwater harvesting solutions from Aquascape

